

# 1050

# INDUSTRIAL

PRINTING MADE EASY

## SIMPLE & RELIABLE ■ ■ ■

Fast and easy printing on primary and secondary packages

### FLEXIBLE PRINTHEAD OPTIONS

print codes from 12.7 mm  
up to 50.8 mm high



### HIGH SPEED PRINTING

of serialized barcodes for  
product promotion and traceability

### EASY TO USE

177.8 mm touch screen with intuitive  
WYSIWYG interface for simple set-up

### LOW MAINTENANCE

snap-in and out cartridges  
for no-hassle reliable printing



## SCANNABLE ■ ■ ■

High resolution codes printed at high speeds

### HIGH QUALITY

text, logos and high-density graphics



### 100% READABLE

1D and 2D barcodes at high production rates

### PRECISION PRINT CONTROL

variable dpi from 1 to 600 dots per  
inch for optimized barcode printing

## FLEXIBLE & INDUSTRIAL ■ ■ ■

Suitable for dusty, humid and corrosive environments

### QUICK SETUP

portable design for  
efficient line changes

### SECURE OPERATION

three levels of  
menu-driven accessibility

### MAXIMIZE UPTIME

reduce TCO with 680 ml or 1360 ml  
bulk ink delivery module - aqueous inks only



### MINIMIZE INK CONSUMPTION

with draft mode feature and  
variable print density

CENTRALLY MANAGE CODES  
create images and network printers  
with optional CoLOS® software



## LINE SPEED/RESOLUTION

- ▶ Maximum line speed 201 m/min (660 ft/min)
- ▶ Maximum resolution 600 x 600 dpi

## PRINT FEATURES

- ▶ Static text, user inserts, date/time stamps, shift codes, counters, bitmaps, conditional bitmaps, and variable data
  - ▶ Windows True Type fonts
  - ▶ Barcodes 1D: Codabar, Code 128, Code 39, Code 93, EAN8, EAN13, EAN128, Interleaved 2 of 5, Pharmacode, Plessey, UPC-A, UPC-E
  - ▶ Barcodes 2D: Aztec, Data Matrix, Maxi Code, Micro QR Code, PDF417, QR Code, QR Code 2005
- Additional barcodes available upon request

## PRINTHEADS & MOUNTING CONFIGURATIONS

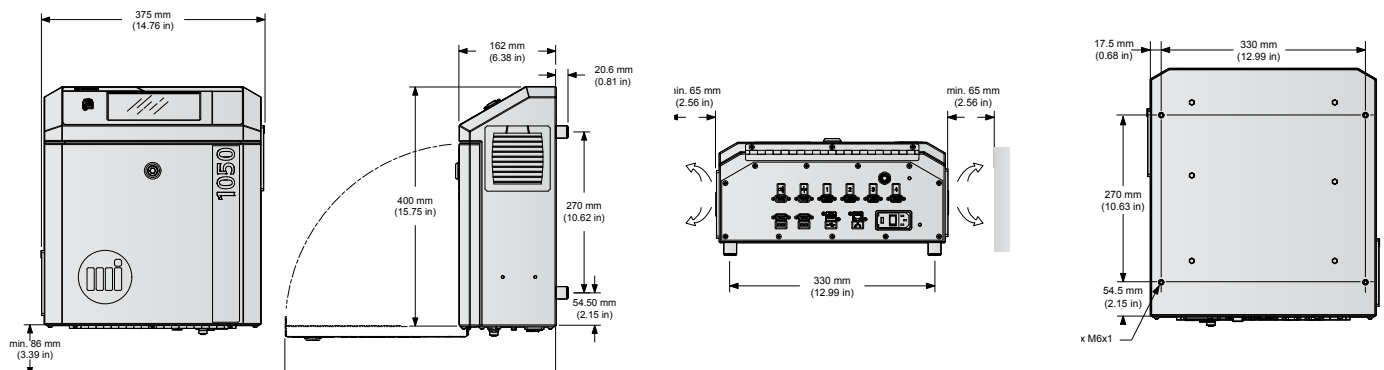
- ▶ There are several printhead and mounting options available. Please contact a Markem-Imaje Applications Engineer for further assistance in selecting the appropriate components.

## CONTROLLER

- ▶ 177.8 mm (7") touch screen interface
- ▶ WYSIWYG template and print preview
- ▶ 3 levels of menu-driven security
- ▶ Workflow manager allows administrator to customize print process
- ▶ Industrial solid-state electronics with no moving parts
- ▶ 1 x Ethernet Port, 2 x USB Ports, 2 x RS-232
- ▶ Industrial stainless steel enclosure
- ▶ Supports up to (4) 12.7 mm (1/2") heads, (2) 25.4 mm (1") heads or (1) 50.8 mm (2") head
- ▶ Encoder and sensor ports
- ▶ 110-240 VAC, 50/60 Hz, 1.3A
- ▶ Sensor Pin Out: P3-Hi (PnP), P6-GND, P7-Low (NPN), P8-12VDC
- ▶ Bulk ink option available
- ▶ Operating temperature: 10 to 40° C
- ▶ Humidity: 0-80% RH (non-condensing)

## SOFTWARE

- ▶ CoLOS® Enterprise



We reserve the right to amend the design and/or specifications of our products without notice.

Markem-Imaje  
Global Sales & Marketing Division  
9, rue Gaspard Monge  
B.P. 110  
26501 Bourg-lès-Valence Cedex – France  
Tél. : +33 (0) 4 75 75 55 00  
Fax : +33 (0) 4 75 82 98 10

